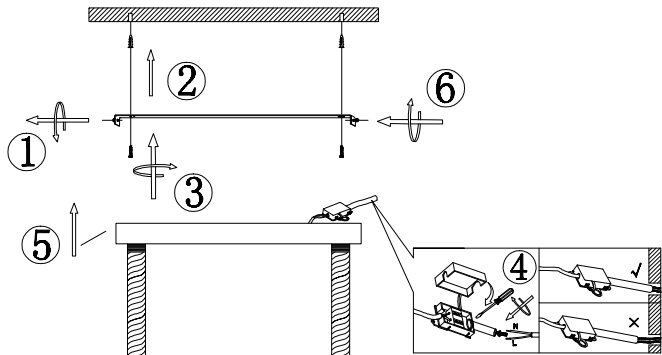
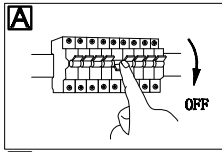


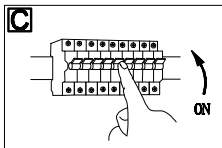
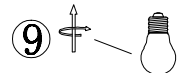
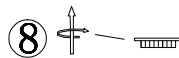
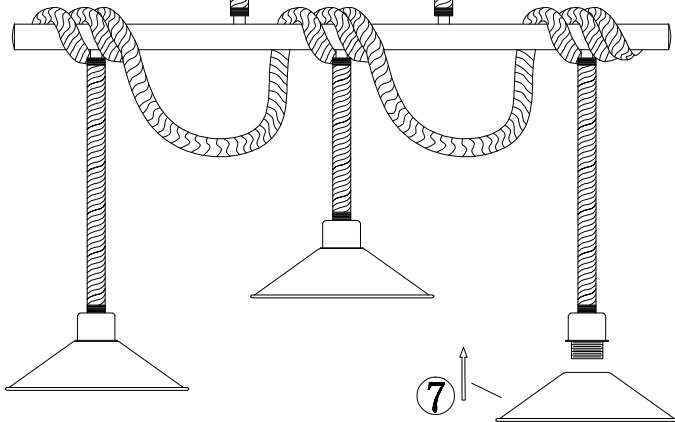
# GLOBO

LIGHTING

[www.globo-lighting.com](http://www.globo-lighting.com)



15690-3H



GLOBO Handels GmbH  
Gewerbstrasse 3  
A-9184 Sankt Peter  
Austria